

Supplement

Title: 717 Inst.Sht. Supplement Issue: 1
Part Number: 690013 Issue Date: 10/04
Print Date: March 1998 Page Count: 5
Revision/Date: 1, 11/01

This supplement contains information necessary to ensure the accuracy of the document described above.

Change #1

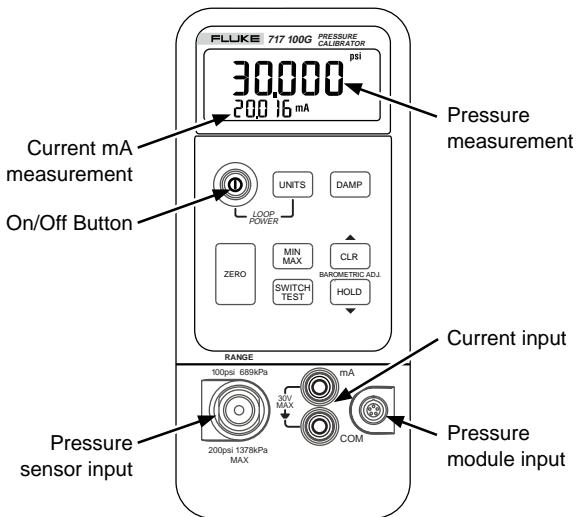
Under **Getting Acquainted**, delete the last sentence in the 3rd paragraph, add a new section for Power Saver and replace the Figure with the following:

Power Saver

The Calibrator automatically turns off after 30 minutes of inactivity. To reduce this time or disable this feature:

1. With the Calibrator OFF, press **⊙**.
2. **P.S. xx** is displayed, where **xx** is the turn-off time in minutes. **OFF** means the power saver is disabled.
3. Press **HOLD** to decrease or **CLR** to increase the turn-off time.
4. To disable, press **HOLD** until the display shows **OFF**.

The Calibrator resumes normal operation after 2 seconds.



qo005f.eps

Under **Pushbutton Functions**, replace the entry for **MIN**, delete the entry for **MAX** and add an entry for **SWITCH TEST** as shown:

<p>MIN MAX</p>	<p>Press and hold to read the minimum pressure and current readings since power was turned on or CLR was pressed. Press again to read the maximum pressure and current readings since power was turned on or CLR was pressed</p>
<p>SWITCH TEST</p>	<p>Press to perform switch test.</p>


Add the Switch Test section as follows:

Switch Test

To perform a switch test follow these steps:

Note

This example used a normally closed switch. The procedure is the same for an open switch but the display reads OPEN instead of CLOSE.

1. Connect the Calibrator mA and COM terminals to the switch using the pressure switch terminals and connect an external pump between the calibrator and the pressure switch using a tee fitting. The polarity of the terminals does not matter.
2. Make sure the vent on the pump is open and zero the Calibrator if necessary. Close the vent after Zeroing the Calibrator.
3. Press  to enter pressure switch test mode. The Calibrator will display CLOSE instead of a mA measurement.
4. Apply pressure with the pump slowly until the switch opens.

Note

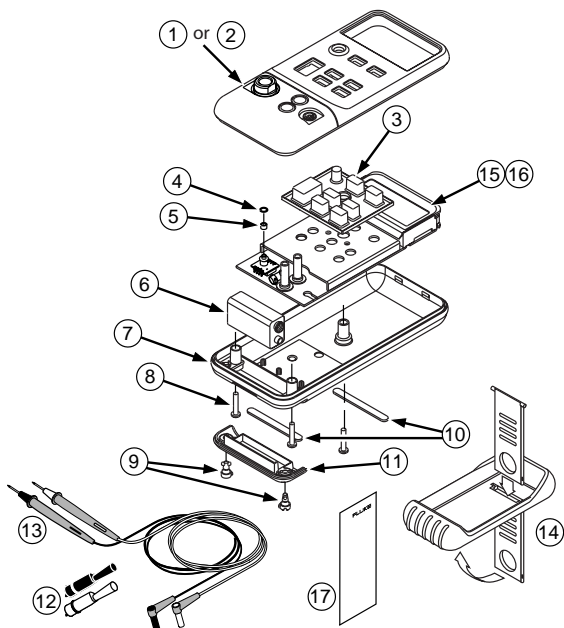
In the switch test mode, the display update rate is increased to help capture changing pressure inputs. Even with this enhanced sample rate, pressuring the device under test should be done slowly to ensure accurate readings.

5. OPEN is displayed once the switch is open. Bleed the pump slowly until the pressure switch closes. RCL appears on the display.

6. Press **SWITCH TEST** to read the pressure values for when the switch opened, for when it closed, and for the deadband.
7. Hold **SWITCH TEST** for three seconds to exit the switch test or press **CLR** to reset the switch test.

Under **Replacing the Fuse**, delete the entire section.

Under **Replacement Parts and Accessories**, replace the figure with the following, delete line 3, and change AC70A to AC72.



qq004f.eps

Under **DC mA Input**, replace the Overload protection entry with:

Fuseless overvoltage protection